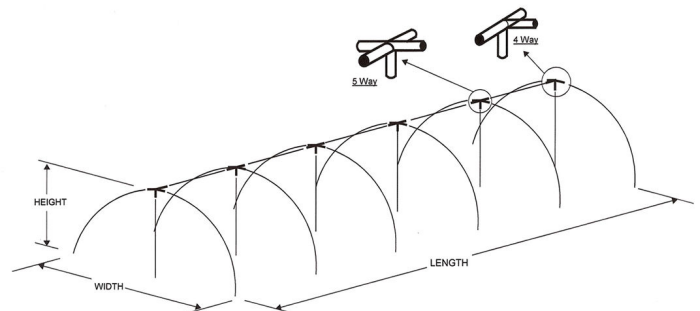
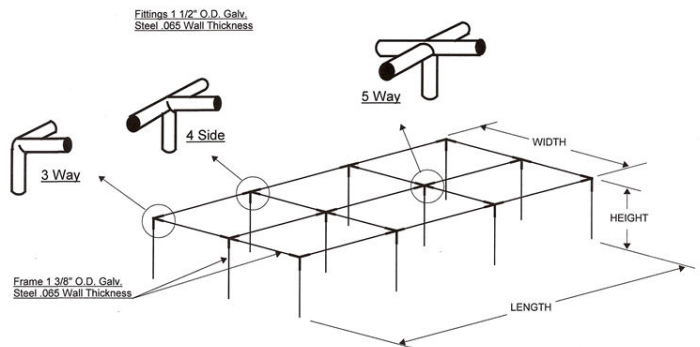
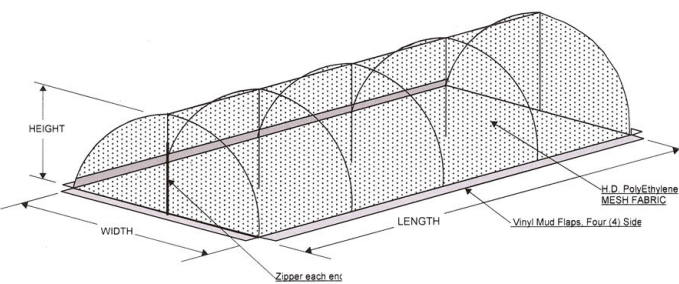
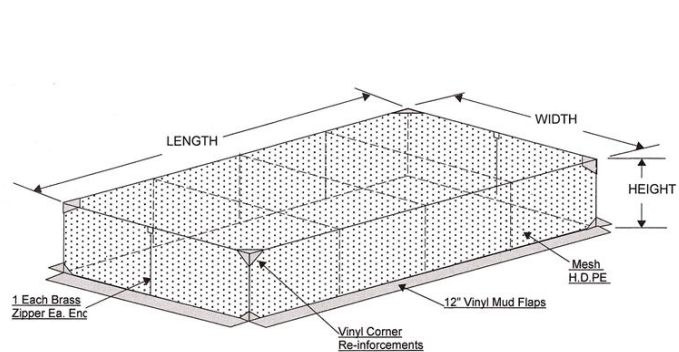




SEED and POLLINATION COVERS

Redwood Empire Awning manufactures all pollination frames and covers to your specifications; we can produce small cages (2' x 2' x 3') or large (40' x 120' x 8'), or anything in between. Quonset style covers and frames are also available.

COVERS	FRAMES
<ul style="list-style-type: none"> • Polypropylene <ul style="list-style-type: none"> - 18 x 18 Green • Polyethylene (Natural Amber) <ul style="list-style-type: none"> - 20 x 20 mesh (bee, fly) - 32 x 32 mesh - 52 x 52 mesh (aphid) • Heavy Duty vinyl reinforced Mud Flaps • Heavy Duty vinyl reinforced Corners • Seams double stitched, polyester thread • Zippers: Heavy Duty Brass, Delrin 	<ul style="list-style-type: none"> • Galvanized Steel Tubing <ul style="list-style-type: none"> - Frame: 1 3/8" x .065 - Fittings: 1 1/2" x .065 - 3-way Corner - 4-way Intermediate - 5-way Center Uprights - Tees - All joints MIG welded and anti-rust primed



REDWOOD EMPIRE AWNING

3547 Santa Rosa Avenue, Santa Rosa CA 95407

t. 707.588.9900 | f. 707.588.9065 | mike@redwoodempireawning.com